

KOLDLOK®

KoldLok® Extended Raised Floor Grommet

Part Numbers

3" x 24" - 10012

6" x 24" - 10013



Extended 3" x 24" Brush Grommet
Part No. 10012



Extended 6" x 24" Brush Grommet
Part No. 10013

Applications

Designed to seal a wide variety of existing and new openings. Simple modification creates the flexibility to seal large and unique openings such as those found under PDUs.

Based on measurements at multiple data centers, on average 60% of valuable conditioned air is not reaching the air intake of IT equipment due to unsealed floor openings. This lost air, known as bypass airflow, contributes to IT equipment hotspots, cooling unit inefficiencies, and increasing infrastructure costs. KoldLok products specifically address bypass airflow and its detrimental effects on data center cooling.

Features

- The Grommets can be modified to seal unique cable openings as needed.
- The Grommets contain no loose or partially fastened parts, which can become separated or fall through the raised floor.
- KoldLok products are compliant with Directive 2002/95/EC of the European Parliament and the Council on the Restriction of the Use of Certain Hazardous Substances in Electrical and Electronic Equipment (RoHS).

Benefits

- Supports increased cabinet density
- Increases existing cooling unit capacity
- Reduces the need to purchase additional cooling units
- Improves IT equipment reliability and extends equipment life
- Increases static pressure under the raised floor and improves cool air delivery through perforated tiles and floor grates
- Compliance with best practices for all raised floor cooling configuration (Hot and Cold Aisle, Hot Aisle containment, Cold Aisle containment, etc.)

Sealing Effectiveness

- Effective bypass airflow sealing in areas undisturbed by cable penetrations at static pressures up to 0.10 inches of water column
- Effective bypass airflow sealing with four ½ inch cables penetrating the Grommet at static pressure required to cool up to 3 kW/cabinet
- Effective bypass airflow sealing with four ½ inch cables penetrating the Grommet at a static pressure of 0.50 inches of water column

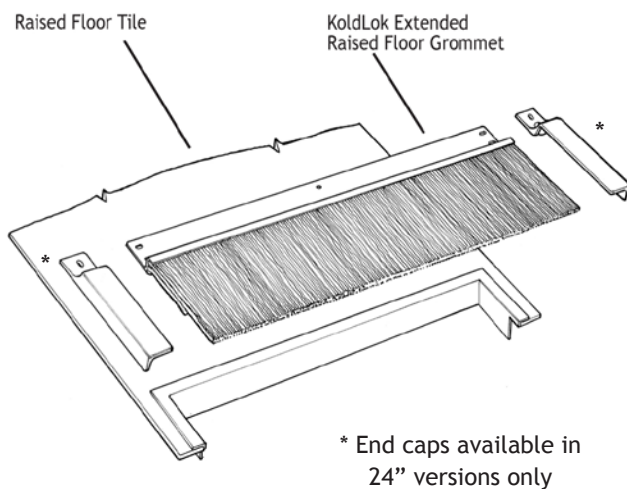
| Dimensions and Cutting Requirements | Inches (W x D) | Millimeters (W x D) |
|---|-------------------------------|---------------------------------|
| Part No. 10012 (3"x24") - Overall size | 24" x 5.05" | 610 x 128mm |
| Maximum cutout size sealed | 24" x 4" | 610 x 102mm |
| Usable cable area | 22" x 2.5" | 559 x 64mm |
| Product height above the raised floor | 1" w/ mounting kit installed | 25mm w/ mounting kit installed |
| Part No. 10013 (6"x24") - Overall size | 24" x 8.08" | 610 x 205mm |
| Maximum cutout size sealed | 24" x 7" | 610 x 178mm |
| Usable cable area | 22" x 5.5" | 559 x 140mm |
| Product height above the raised floor | 1" w/ mounting kit installed | 25mm w/ mounting kit installed |
| Part No. 10097 (3"x60") - Overall size | 60" x 5.998" | 610 x 152mm |
| Maximum cutout size sealed | 60" x 4" | 610 x 102mm |
| Usable cable area | 60" x 2.5" | 610 x 64mm |
| Product height above the raised floor | 1" w/ adhesive tape installed | 25mm w/ adhesive tape installed |
| Part No. 10098 (6"x60") - Overall size | 60" x 9.025" | 610 x 229mm |
| Maximum cutout size sealed | 60" x 7" | 610 x 178mm |
| Usable cable area | 60" x 5.5" | 610 x 140mm |
| Product height above the raised floor | 1" w/ adhesive tape installed | 25mm w/ adhesive tape installed |

Patented Sealing System

U.S. Patent No. RE41863 and International Patents Pending for multi-layer, opposing and interwoven filaments.

Other Materials

- Metal Extrusion filament holder: anodized aluminum alloy, black finish
- End Caps: PC/ABS, black
(Provided with 24" versions only)



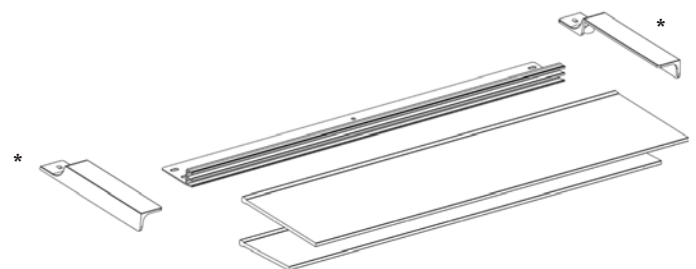
Floor Mounting System

24" Grommets come standard with two (2) end caps, double-sided, non-particulating adhesive mounting kit and five (5) self-tapping screws per grommet.

60" Grommets DO NOT come standard with end caps, adhesive mounting kit or self-tapping screws.

Optional mounting tape or screws are available for custom installations. Minimum order may apply. Please call for details.

- Non-Particulating Double Sided Adhesive Tape - 36 Yard Roll: Part No. 20107
- Self-Tapping Screws - 600 Pieces: Part No. 20197



The Grommets can be disassembled for custom modification.

Geist Global
 1821 Yolande Ave
 Lincoln, NE 68521
 1.800.432.3219
 402.474.3400
 www.geistglobal.com