



GEIST

# MONITOR | Watchdog

## Watchdog 15 / Watchdog 15-P

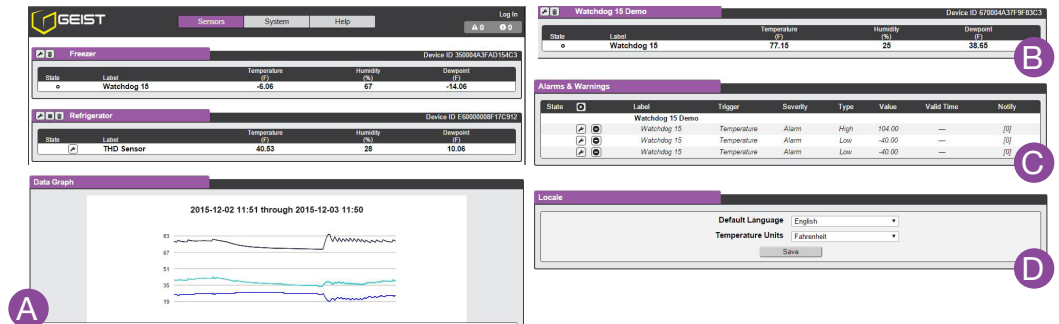
The Watchdog 15 is a self-contained environment monitor with an on-board temperature/humidity sensor. Equipped with two digital sensor ports, the Watchdog 15 can support up to four external sensors using a splitter.

### Features

- Real Time Sensor Data Feeds
- Sensor Data Logging & Graphing
- Data Logs
- SNMP (v1, v2c, v3)
- Email & Email-to-SMS Alerts
- Alarm Escalations
- Alarm Repeat and Delay
- Alarm Valid Hours
- Office 365 Email Support
- Display in Metric or Imperial
- Multiple Languages
- Access Account Levels
- Encryption via TLS/SSL
- Configuration Back-up
- Remote Firmware Updates




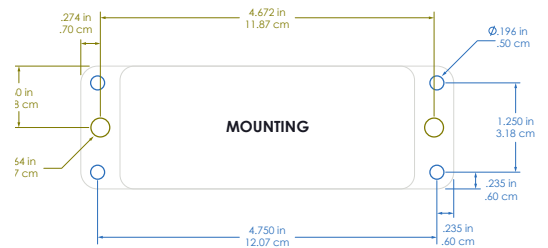
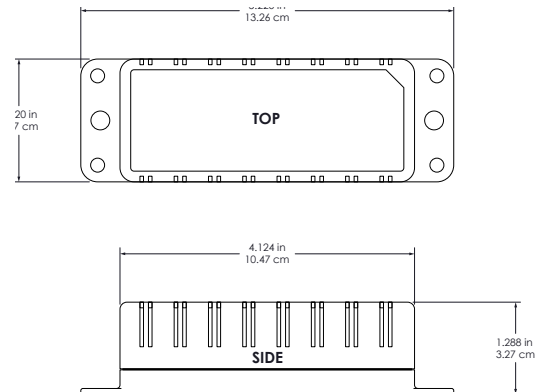
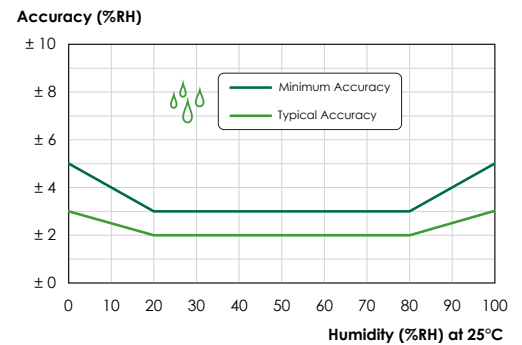
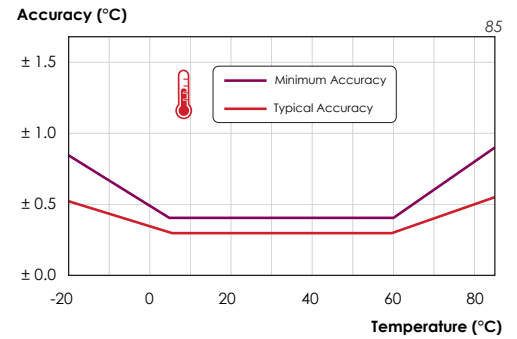
6 VDC  
(optional on  
Watchdog 15-P)



- A** Graph Showing Data Trends
- B** Live Sensor Values and Logging
- C** Friendly Names per Sensor
- D** International Support

## Specifications

On-Board Sensors	
<b>Temperature</b>	
Range	-20 to 85°C
Accuracy (typical)	± 0.3°C
Accuracy (minimum)	see graph
<b>Relative Humidity</b>	
Range	0 to 100% RH
Accuracy (typical)	± 2.0% RH
Accuracy (minimum)	see graph
<b>Dewpoint</b>	
	Calculated value, based on temperature & humidity
External Sensors	
Digital Sensor Ports	2
Max Digital Sensor Capacity	4
Hardware Features	
Ethernet	10/100 Mbps
<b>Power</b>	
Input	6 - 12 VDC (250mA typ., 350mA max.)
DC Power Input Plug	2.1mm DC barrel, center-positive
Power Supply Options	North American, British, Universal, None
Power Over Ethernet	IEEE802.3af (Watchdog 15 P Only)
“Reset” Button	Restore all to factory defaults
<b>Physical</b>	
Dimensions (WxHxD)	5.22" (13.26 cm) x 1.72" (4.37 cm) x 1.29" (3.27 cm)
Mounting	see diagram
<b>Warranty</b>	
	1 Year Standard Warranty
<b>Regulatory</b>	
	



Please note the information contained herein is for informational purposes only. Technical claims listed depend on a series of technical assumptions. Your experience with these products may differ if you operate the products in an environment, which is different from the technical assumptions. Geist reserves the right to modify these specifications without prior notice. Geist makes no warranties, express or implied, on the information contained in this document.