

# GEIST MONITOR | Watchdog

## Watchdog 1000

With sixteen digital sensor ports, the Watchdog 1000 is ideal for applications that require a low-cost climate monitor and a large number of remote sensors.

- Accessible through a web browser
- Built-in temperature sensor
- Three analog inputs for 0-5VDC sensors
- 16 digital sensor ports for external digital-bus sensors
- Multi-level alarms with escalation
- Alarm notifications sent by email and SNMP

Need a lot of remote sensors in a rack mount? The Watchdog 1000 has web access, graphing, and alarm alerts sent by email or SNMP. Connect up to sixteen remote digital sensors, no splitters required. Supports up to three analog sensors, and has an internal temperature sensor.

## Web Interface

The web interface is the primary way to interact with the Watchdog 1000. This interface allows a user to remotely check the status of the environment, view graphs of logged data and see web cam images.

Configuration and administration of the unit is done through the web interface. Access is user-name and password protected. SHTTSPS/SSL encryption can be used for added security. The Watchdog 1000's firmware can be updated through the web interface.

## Other Access Methods

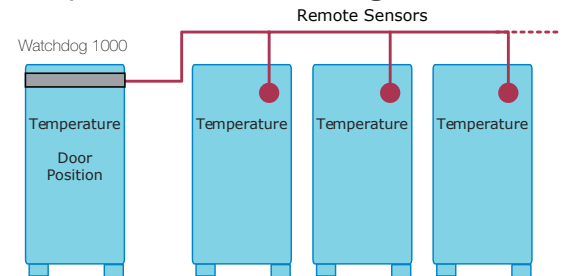
Besides web access, there are several methods to access sensor data from the unit. Current sensor readings and meta-tagged system info is available in XML. Logged data can be downloaded as a CSV file which can be viewed in a spreadsheet program, such as Microsoft Excel or OpenOffice Calc.

The device also supports SNMP (v1, v2c, v3). This allows dozens of Network Monitoring programs such as HP OpenView, IP Sentry, MRTG, or What's Up Gold (Ipswitch) to easily add the Watchdog 1000 to the list of monitored devices.



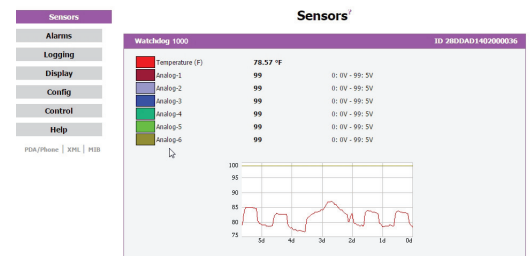
The Watchdog 1000 is a rack-mounted climate monitor with 16 digital sensor ports, three analog inputs, and an internal temperature sensor.

## Multiple Cabinet Monitoring



A single Watchdog 1000 with remote digital sensors, can monitor up to 17 cabinets. The total aggregate cable length for digital sensors may not exceed 600 feet.

## Web Interface: Sensors Page



Readings from the internal temperature sensor and analog inputs are shown on the Sensors page.

# Watchdog 1000

## Specifications

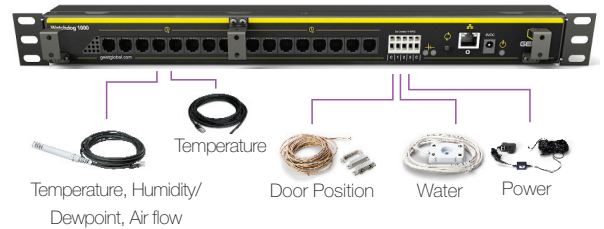
On-Board Sensors	
Temperature	
Range	-10 to 60°C (14 to 140°F) ††
Accuracy (typical)	± 0.5°C (± 0.9°F)

External Sensors	
Digital Sensor Ports	16
Max Digital Sensor Capacity	16
Analog Sensor Ports	3
Max Analog Sensor Capacity	3
Max Analog Input Range	0 to 5VDC, voltage-source or dry-contact

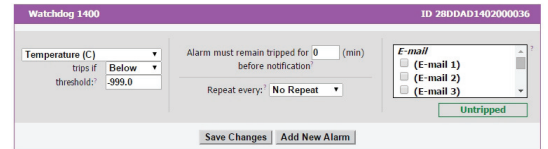
Hardware Features	
Ethernet	10BaseT
Power	
Input	6 - 12VDC, 400mA (typ.), 2.1mm DC barrel plug (center-positive)
Power Supply Options	North American, British, Universal, None
"Reset" Button	Restore Factory Defaults
Physical	
Dimensions (WxHxD)	17"W (48.26cm) x 1.61"D (6.35 cm) x 1.61"H (2.87 cm) (19"W with included mounting brackets)
Weight	2 lb (0.9 kg)
Mounting	see diagram

Firmware	
Real Time Sensor Data Feeds	GUI, SNMP, XML
Environment Monitoring	Logging & Graphing, CSV Data Logs, Event Log
Interface with IP Surveillance Cameras	
Alarms	Alarm Escalations, Alarm Repeat & Delay, Business Hours
Web Access	Encryption via TLS/SSL (HTTPS), 3 Access Account Levels
SNMP Support	Versions ( v1, v2c, v3), Trap Alerts ( Trip / Clear )
Email	Email & Emails-to-SMS Alerts, Periodic Email Status Reports, ESMTP Authentication, SSL/TLS Encryption
Localization	Multiple Languages (English, French, German, Spanish, Chinese, Japanese), Display in °F or °C
US Measurements	
Protocols	IPv4, HTTP / HTTPS, DHCP, NTP, Syslog, Ping
Additional Features	Friendly Names Per Sensor, Configuration Backup, Remote Configuration & Firmware Updates
Warranty	1 Year Standard Warranty

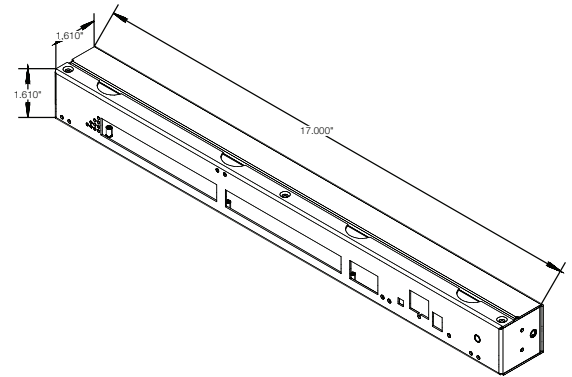
†† operating range of standard 6V power supply is 0-50°C. Operation across wider range requires an alternative 6V power supply with extended temperature range.



## Alarm Thresholds



A basic alarm threshold includes sensor name, boundary value, boundary type (high/low), and in case of alert recipients and alert methods (email, SNMP).



Please note the information contained herein is for informational purposes only. Technical claims listed depend on a series of technical assumptions. Your experience with these products may differ if you operate the products in an environment which is different from the technical assumptions. Geist reserves the right to modify these specifications without prior notice. Geist makes no warranties, express or implied, on the information contained in this document.

10014701

### Geist Americas

800.432.3219  
geistglobal.com

Geist DCiM  
1.877.449.4150  
geistglobal.com

### Geist Europe

+44 (0) 1823 275100  
geistglobal.com

### Geist Asia

China  
+86.755.86639505  
geistglobal.com

Hong Kong  
+852 90361927  
geistglobal.com