

GEIST MONITOR | Watchdog

Watchdog 1200

A simple, low-cost device for monitoring cabinets and racks, and ports for connecting remote external sensors.

- Web accessible (no software to install)
- Five built-in sensors
- Three analog inputs for 0-5 VDC sensors
- Five digital sensor ports for external digital-bus sensors
- Multi-level alarms with escalation
- Alarm notifications sent by email and SNMP

Each Watchdog 1200 is self-contained and accessed through a built-in web server. A user only needs a standard web browser (e.g. FireFox, Internet Explorer) to view current sensor readings and graphs of previous values. The climate monitor continually compares sensor data with user-defined alarms and sends notifications via e-mail or SNMP trap if there is a problem. Supports up to 16 remote digital sensors (using splitters) and a total cable length of 600 feet.

Web Interface

The web interface is the primary way to interact with the Watchdog 1200. This interface allows a user to remotely check the status of the environment, view graphs of logged data, and see web cam images.

Configuration and administration of the unit, including firmware updates, is done through the web interface. Access is user name and password protected. HTTPS/SSL encryption can be used for added security.

Other Access Methods

Besides web access, there are a variety of methods that can also be used for obtaining sensor data from the unit. Current sensor readings are available in XML or through SNMP. Logged data can be downloaded as a CSV files.

The availability of SNMP (v1, v2c, v3) based data allows dozens of Network Monitoring programs such as HP OpenView, IP Sentry, MRTG, or What's Up Gold (Ipswitch) to easily add the Watchdog 1200 to the list of monitored devices.

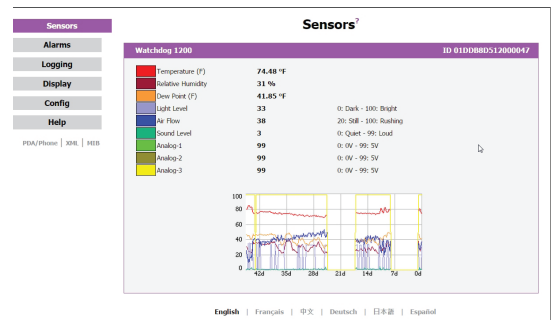
Alarms

Alarm thresholds are used to define the normal operating range for sensors in any environment, and what actions should be taken if a sensor leaves this range.



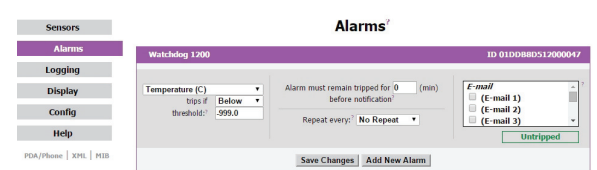
The Watchdog 1200, a web-based device used for monitoring a server or equipment room environment. The device occupies a 1U space in a server rack.

Web Interface: Sensor Page



Current sensor readings and graphs are displayed on the Sensors page of the web interface. Images from up to four webcams are also displayed.

Web Interface: Alarms Page

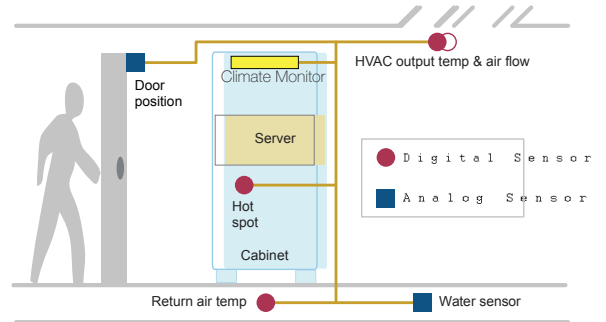


Alarms are configured with the web interface on the Alarms page. Multiple thresholds and alert recipients can be chosen for each sensor.

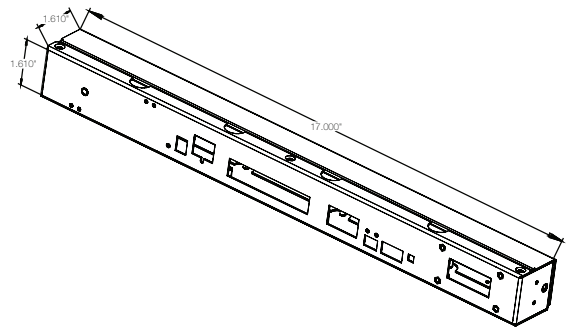
Watchdog 1200

Specifications

On-Board Sensors	
Temperature	
Range	-10 to 60°C (14 to 140°F) ††
Accuracy (typical)	± 1°C (± 1.8°F)
Relative Humidity	
Range	0 to 100% RH
Accuracy (typical)	± 3.0% RH
Dewpoint	Calculated value, based on temperature & humidity
Light Level	CdS photocell, uncalibrated (no fixed scale)
Sound Level	Peak detector, uncalibrated (no fixed scale)
Airflow	Thermal anemometer, uncalibrated (no fixed scale)
External Sensors	
Digital Sensor Ports	5
Max Digital Sensor Capacity	16
Analog Sensor Ports	3
Max Analog Sensor Capacity	3
Max Analog Input Range	0 to 5VDC, voltage-source or dry-contact
Hardware Features	
Ethernet	10/100 Mbps
Power	
Input	6 - 12VDC, 400mA (typ.), 2.1mm DC barrel plug (center-positive)
Power Supply Options	North American, British, Universal, None
"Reset" Button	Restore Factory Defaults
Physical	
Dimensions (WxHxD)	19"W (48.26cm) x 2.5"D (6.35 cm) x 1.13"H (2.87 cm) (with included mounting brackets)
Weight	2 lbs (0.9 kg)
Mounting	Use brackets provided
Firmware	
Real Time Sensor Data Feeds	GUI, SNMP, XML
Environment Monitoring	Logging & Graphing, CSV Data Logs, Event Log
Interface with IP Surveillance Cameras	
Alarms	Alarm Escalations, Alarm Repeat & Delay, Business Hours
Web Access	Encryption via TLS/SSL (HTTPS), 3 Access Account Levels
SNMP Support	Versions (v1, v2c, v3), Trap Alerts (Trip / Clear)
Email	Email & Emails-to-SMS Alerts, Periodic Email Status Reports, ESMTP Authentication, SSL/TLS Encryption
Localization	Multiple Languages (English, French, German, Spanish, Chinese, Japanese), Display in °F or °C
US Measurements	
Protocols	IPv4, HTTP / HTTPS, DHCP, NTP, Syslog, Ping
Additional Features	Friendly Names Per Sensor, Configuration Backup, Remote Configuration & Firmware Updates
Warranty	1 Year Standard Warranty



The server room uses a Watchdog 1200 to monitor the cabinet environment plus five external sensors to monitor the A/C output, cabinet hotspots, return air temperature, water leaks and door position.



†† operating range of standard 6V power supply is 0-50°C. Operation across wider range requires using PoE, or an alternative 6V power supply with extended temperature range.

Please note the information contained herein is for informational purposes only. Technical claims listed depend on a series of technical assumptions. Your experience with these products may differ if you operate the products in an environment which is different from the technical assumptions. Geist reserves the right to modify these specifications without prior notice. Geist makes no warranties, express or implied, on the information contained in this document.

10014601

Geist Americas

800.432.3219
geistglobal.com

Geist DCIM
1.877.449.4150
geistglobal.com

Geist Europe

+44 (0) 1823 275100
geistglobal.com

Geist Asia

China
+86.755.86639505
geistglobal.com

Hong Kong
+852 90361927
geistglobal.com