



GEIST

# MONITOR | Watchdog

## Watchdog 100 / Watchdog 100-P

The Watchdog 100 is a self-contained unit with an on-board temperature/humidity/dew point sensor. It has an input capacity of eight external sensors and relay output for triggering external devices, such as an auto-dialer.



- Four analog inputs for dry-contact or 0-5 VDC sensors
- 2 Plug-n-Play Ports (Connect up to four sensors by daisy-chaining or using a splitter)
- Configure alerts via email, email-to-SMS, SNMP and voice\*
- Dry-contact relay output for external device control

## Firmware Features

- Real-Time Sensor Data Feeds
- Data Logging & Graphing
- CSV & JSON Data Logs
- SNMP (v1, v2c, v3)
- Email & Email-to-SMS Alerts
- Alarm Escalations
- Alarm Repeat and Delay
- Alarm Valid Hours
- 3 Access Account Levels
- Display in Metric or Imperial
- Multiple Languages
- Encryption via TLS/SSL
- Remote Firmware Updates


The screenshots show the following interface elements:

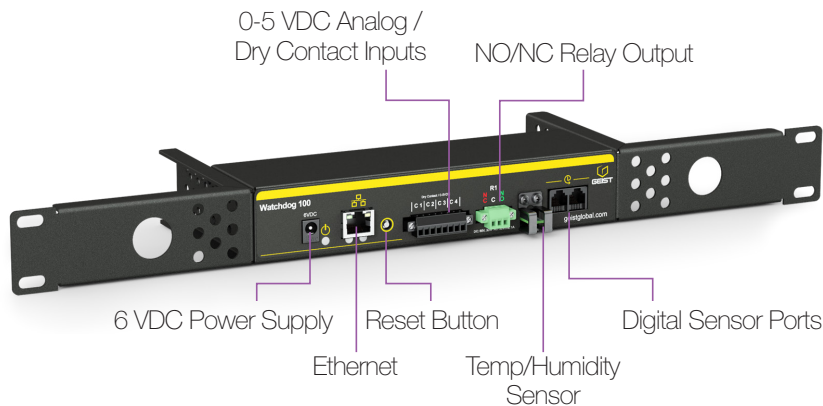
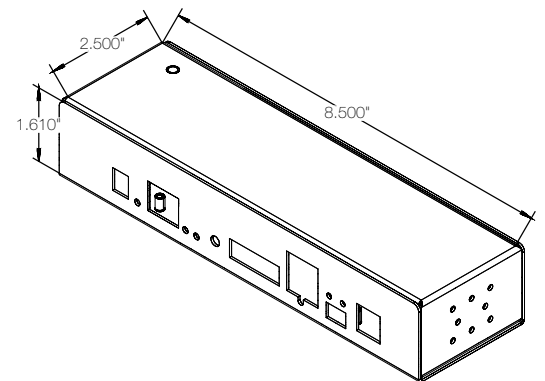
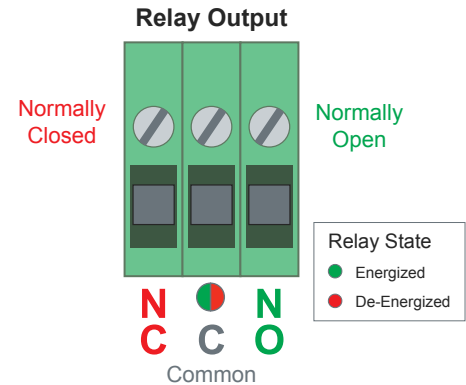
- Panel A:** A data table for 'Watchdog 100' with columns for Label, Temperature, Humidity, and Dewpoint. It lists sensors like WATER, CT-Rack 10 Row 2, AI3, and AI4 with their respective values.
- Panel B:** A table titled 'Alarms & Warnings' with columns for State, Label, Trigger, Severity, Type, Value, Valid Time, and Notify. It shows active alarms for temperature and humidity.
- Panel C:** A 'Data Graph' showing a line chart of sensor data over time, with a 'Time Range' set to 24 hours.
- Panel D:** A 'Locale' settings panel with dropdown menus for 'Default Language' (English) and 'Temperature Units' (Celsius), and a 'Save' button.

- A** Graph Showing Data Trends
- B** Live Sensor Values and Logging
- C** Alarming
- D** International Support

\*Relay-controlled auto-dialer required.

## Specifications

On-Board Sensors	
<b>Temperature</b>	
Range	-20 to 85°C (-4 to 185°F)*
Accuracy (typical)	± 0.3°C (± 0.5°F)
<b>Relative Humidity</b>	
Range	0 to 100% RH
Accuracy (typical)	± 2.0% RH
<b>Dewpoint</b>	
Calculated value, based on temperature & humidity	
Hardware Features	
Ethernet	10/100 Mbps
<b>Power</b>	
Input	6 - 12 VDC (250mA typ., 350mA max.)
Power Supply Options	North American, British, Universal, None
Power Over Ethernet	IEEE802.3af (Watchdog 100-P Only)
“Reset” Button	Restore all to factory defaults
<b>Physical</b>	
Dimensions (WxHxD)	8.55" (21.6 cm) x 2.5" (6.35 cm) x 1.13" (2.87 cm) With Included Mounting Brackets- 19" W (48.26 cm)
Weight	2 lbs (0.9 kg)
Mounting	Use Provided Brackets
<b>Warranty</b>	1 Year Standard Warranty
<b>Regulatory</b>	



\*Operating range of standard 6V power supply is 0-50°C. Operation across wider range requires an alternative 6V power supply with extended temperature range.

Please note the information contained herein is for informational purposes only. Technical claims listed depend on a series of technical assumptions. Your experience with these products may differ if you operate the products in an environment which is different from the technical assumptions. Geist reserves the right to modify these specifications without prior notice. Geist makes no warranties, express or implied, on the information contained in this document.