

Part Number: VCB-1 - Vertical Extension Brackets

Description

Primary Category: Power Brackets

Configuration: VCB-1 Vertical Extension Brackets. Allows for up to 180 degree rotation.

Features

Specifications:

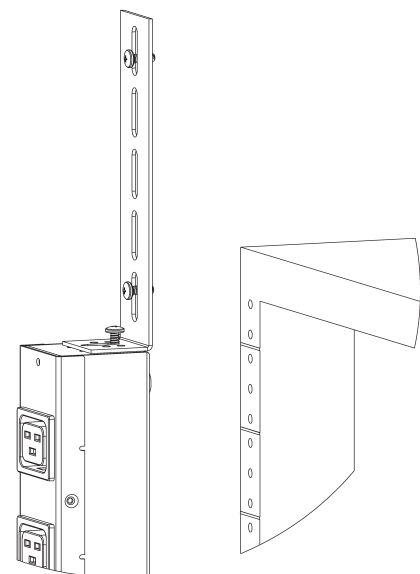
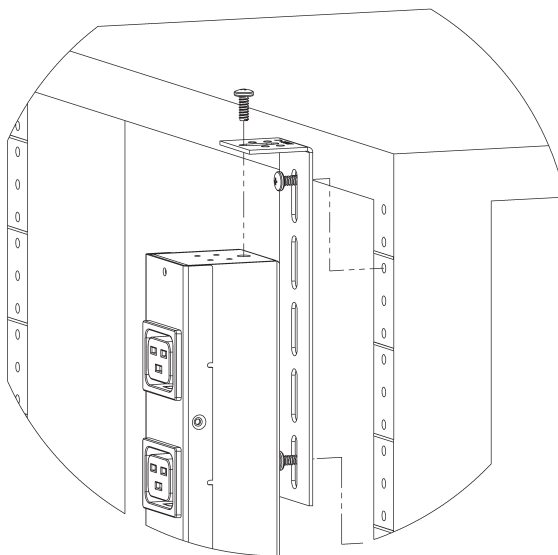
Heavy Steel- Black Powder Coat- Yes

Made in the USA- Yes

Product Warranty- Lifetime

Certification/Agency Approvals- RoHS Compliant

Unit Weight- 0.5 lbs.



Please note the information contained herein is for informational purposes only. Technical claims listed depend on a series of technical assumptions. Your experience with these products may differ if you operate the products in an environment, which is different from the technical assumptions. Geist reserves the right to modify these specifications without prior notice. Geist makes no warranties, express or implied, on the information contained in this document.

10012101

Geist Americas

800.432.3219
geistglobal.com

Geist DCiM
1.877.449.4150
geistglobal.com

Geist Europe

+44 (0) 1823 275100
geistglobal.com

Geist Asia

China
+86.755.86639505
geistglobal.com

Hong Kong
+852 90361927
geistglobal.com