

Flood Sensor

Part Number: 6326 - Flood Sensor 15 ft
6326-100 - Flood Sensor 100 ft

Knows when water invades your equipment or server room.

- Used to detect water leaks
- Connects to the Geist Climate Monitor via Analog Input or Analog to Digital Converter
- Receive alarms via email or SNMP

The flood sensor allows the Geist Climate Monitor to detect leaks that could damage your equipment. The sensor measures conductivity and indicates whether the sensor is dry or wet.

When water or other conductive liquid is present, a tiny electrical current flows between the metal contacts on the sensor. A cable attached to the sensor allows the climate monitor to detect the presence of a leak. Some example sources include:

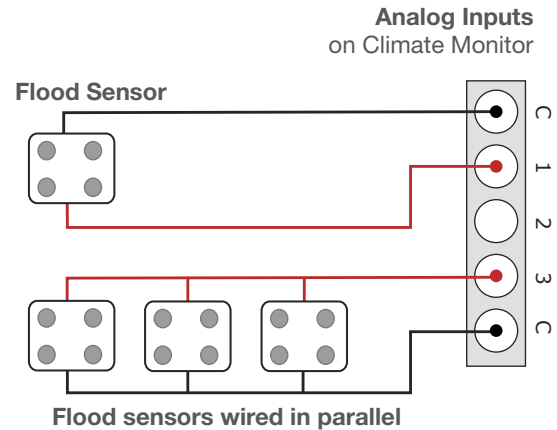
- Plumbing fixtures
- Air-conditioner drip pans
- Condensation-outflow pans
- Roof/ceiling leaks

Connecting to the Geist Climate Monitor

There are two options for connecting the flood sensor to the Geist Climate Monitor. Since the flood sensor is an analog sensor device it can connect directly to an Analog Input. If other sensors already occupy these inputs, or the climate monitor doesn't have them, then you can use a Analog to Digital Converter to connect the sensor to the monitor's digital-sensor ports.

Alarms

The web interface provided by the Geist Climate Monitor allows you to configure alarms to notify you if water is present. The notification is sent through email and/or SNMP trap. Some units can also trigger an alarm buzzer or energize an output relay.



One or more flood sensors can be connected to each Analog Input or Analog to Digital Converter. Wired in parallel, a leak is detected if any of the sensors become wet.

Specifications	
Conductivity-Based Sensor	0-5 VDC
Cable Length	15 ft, 100 ft
Cable Type	2-conductor wire
Compatibility	Works with all climate/power monitors with analog ports. Compatible with Analog to Digital Converter.
Warranty	1 Year