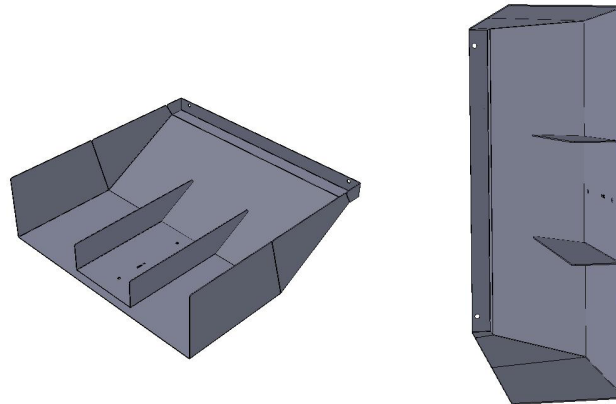


Part Number: Network Switch Cooling GSA1-09001



Description:

Designed to eliminate compounded heating of intake air for Cisco 6509 and Nexus 7018 switches that are arranged in a row layout, the GSA9 directs the hot air into the hot aisle where it can be properly handled. With no active components, the GSA9 unit elegantly redirects the heated air away from the systems that depend on a cool air supply to run reliably and efficiently. This simple design is the perfect answer to protect the high dollar investment.

Product Highlights:

- Provides hot air deflection for network switches
- Installs quickly on 2 post frames
- Stabilizes switch intake temperature within a few degrees of the rack front intake air temperature
- Resolves a critical data center issue while reducing operating costs
- Rapid return on investment; typically less than 3 months
- Prevents incremental heating of supply air when side discharge switches in row configuration

Specifications:

Item Number	GSA1-09001
Configuration	9U
Warranty	Lifetime
Installation	Stackable in consecutive U spaces

Please note the information contained herein is for informational purposes only. Technical claims listed depend on a series of technical assumptions. Your experience with these products may differ if you operate the products in an environment, which is different from the technical assumptions. Geist reserves the right to modify these specifications without prior notice. Geist makes no warranties, express or implied, on the information contained in this document.

Geist Americas

1821 Yolande Ave
Lincoln, NE 68521 USA
1.800.432.3219 or
1.402.474.3400
www.geistglobal.com

Geist DCiM
2290 E Prospect Rd.
Fort Collins, CO 80525 USA
1.877.449.4150
www.geistglobal.com

Geist Europe

Unit 1, The Monarch Centre,
Ventrue Way,
Priorswood, Taunton,
Somerset, TA2 8DE UK
+44 (0) 1823 275100
www.geisteurope.com

Geist Asia

China
Tiley Plaza, Unit #2808,
No. 199 Haide 3 Road
Nanshan Shenzhen
Guangdong Province China
Postal Code: 518000
Tel: +86.755.86639505
www.geistglobal.com

Hong Kong
Tel: +852 90361927
Email: salesasia@geistglobal.com
www.geistglobal.com