

## Isolated Voltage Sensor

### Features

- A** DC Source Connection
- B** Power LED Indicator
- C** Analog Output



### Package Includes

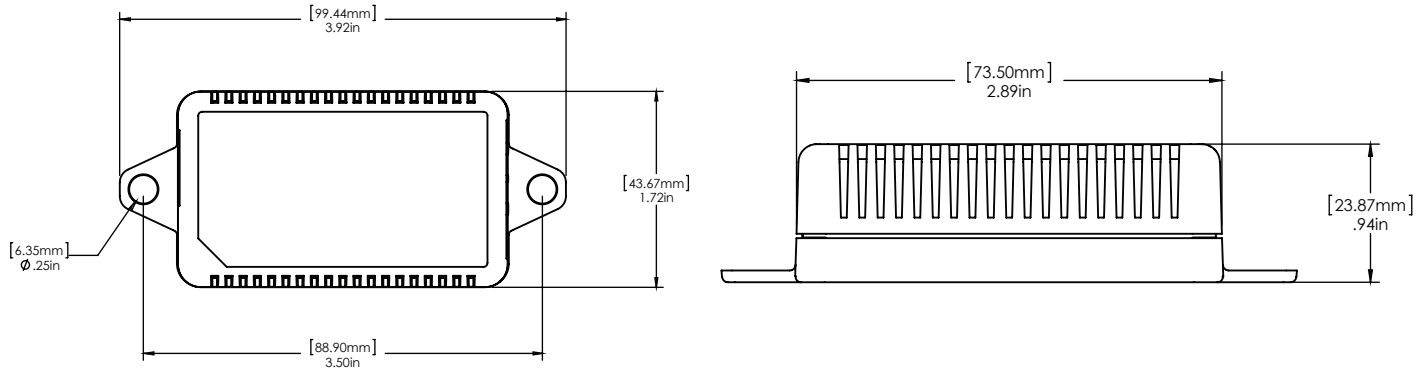
- Isolated Voltage Sensor
- 1 x 48", 22AWG Solid Cable
- 2 x 36", 18 AWG Stranded Wire

### Description

The Isolated Voltage Sensor, in combination with a Geist Climate Monitor, allows you to track and monitor DC voltages used in battery-backup and telecom systems. Galvanic isolation between the DC input and signal output allows the IVS to be used with either positive-ground or negative-ground systems. Using logs and graphs provided by the Environmental Monitor, you can remotely check on the status of the system and find out if the batteries are being overcharged, or not charged enough.

Connected to an Environmental Monitor, and with the appropriate settings, you can receive an automatic alert (via email or SNMP) of a potentially dead, discharged, or overcharged battery bank based on the battery voltage. Get graphs and see trends in the system as well.

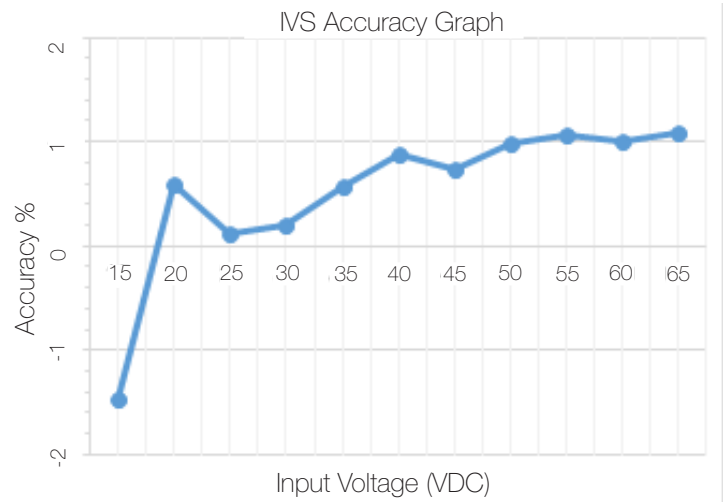
## Dimensions



## Specifications

Physical Dimensions	
Width	3.90" (9.91 cm)
Length	1.71" (4.34 cm)
Depth	0.94" (2.39 cm)
Weight	2.4 lb (68.0 g)

Operating	
Input Voltage	-60 to -15 or 15-60 VDC
Output Voltage	0 to 5 VDC
Accuracy	See Graph



## Approvals

Compliance



## Compatibility

Work with all Environmental/Power Monitors with analog ports. It is not supported with CCAT.

## Warranty

Geist warrants that the Isolated Voltage Sensors will be free of defects for 1 year from the date of purchase.

Please note the information contained herein is for informational purposes only. Technical claims listed depend on a series of technical assumptions. Your experience with these products may differ if you operate the products in an environment which is different from the technical assumptions. Geist reserves the right to modify these specifications without prior notice. Geist makes no warranties, express or implied, on the information contained in this document.

10012901

### Geist Americas

800.432.3219  
geistglobal.com

Geist DCIM  
1.877.449.4150  
geistglobal.com

### Geist Europe

+44 (0) 1823 275100  
geistglobal.com

### Geist Asia

China  
+86.755.86639505  
geistglobal.com

Hong Kong  
+852 90361927  
geistglobal.com