

## Door Position Sensor

Part Number: **RDPS (30 ft wire)**  
**RDPS-50/100 ( 50 or 100 ft wire)**

### Use these small magnetic sensors to determine door position

- Used to detect whether a door is open or closed
- Connects to the Geist Climate Monitor via Analog Input or Analog to Digital Converter
- Receive alarms via email or SNMP

This sensor offers a low-cost method to monitor access doors or cabinets that should remain closed. The non-contact magnetic switch mounts to the door of a server rack or equipment room and connects to a Geist Climate Monitor. Remotely check the door status through the web interface or use alarms to notify you if a door is open.

The sensor consists of two main parts, a magnet and a switch with terminals to connect the signal wires. The magnet mounts to a door or access panel, while the switch mounts to the frame. When the door is closed the two pieces should be within 1/2" of each other. When the door opens this distance increases, eventually toggling the switch. This allows the Geist Climate Monitor to know when the door is open.

## Connecting to the Geist Climate Monitor

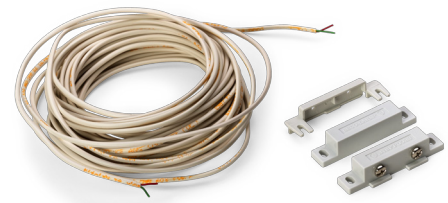
There are two options for connecting the door position sensor to the Geist Climate Monitor. You can connect the sensor directly to the Analog Input Terminals. If other sensors occupy these inputs or the climate monitor doesn't have them, then you can use a Analog to Digital Converter to connect the sensor to a digital port.

Multiple door position sensors can be wired in a series to a single Analog Input or Analog to Digital Converter. This is a good way to free up inputs when you don't need to know the specific door that is open, just that at least one door in the group is.

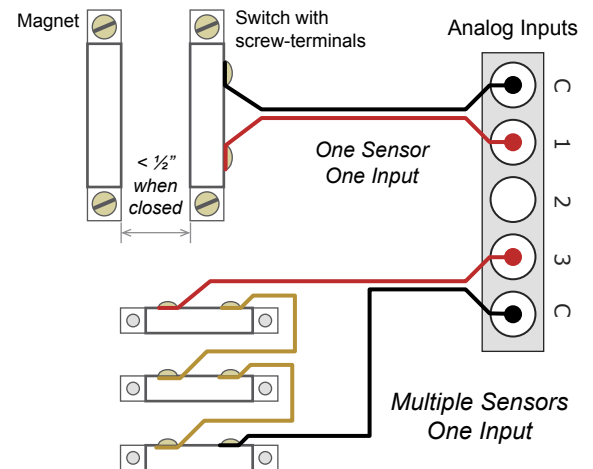
## Alarms

You can configure alarms using the Geist Climate Monitor's web interface. With the appropriate alarm thresholds the Geist Climate Monitor will send you an alert via email or SNMP trap if a door is detected open. Some units can also trigger an alarm buzzer or energize an output relay in response to an alarm.

Please note the information contained herein is for informational purposes only. Technical claims listed depend on a series of technical assumptions. Your experience with these products may differ if you operate the products in an environment, which is different from the technical assumptions. Geist reserves the right to modify these specifications without prior notice. Geist makes no warranties, express or implied, on the information contained in this document.



The door position sensor has four components: magnet, switch with screw terminals, screw terminal cover and connection wires.



These sensors connect to the Geist Climate Monitor through the Analog Input terminals or Analog to Digital Converter. Sensors can be wired in series to reduce the number of inputs required.

### Sensor Details

#### Specifications

Normally-closed dry-contact sensor  
 Holes for screw-mounting  
 Insulation may be required if mounting to metal doors  
 Cable type: 2-conductor  
 Cable length: 15' 50' or 100'  
 Warranty: 1 year

#### Compatibility

Works with all climate/power monitors with analog ports  
 Compatible with Analog to Digital Converter