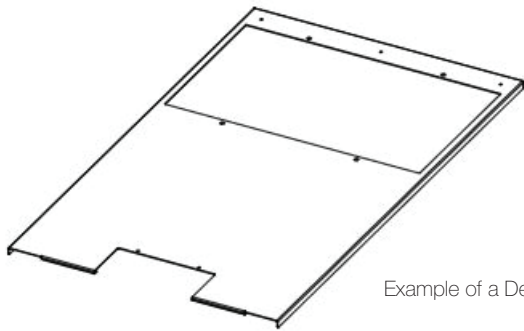


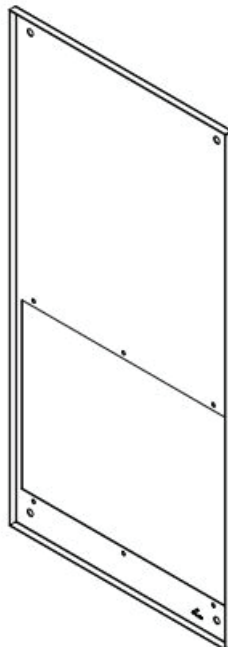
Rack Conversion Kits

Rack Conversion Kits for Containment Cooling developed and supplied by Opengate- Maximize efficiency and IT flexibility while providing a perfectly controlled IT environment.



Example of a Dell Top Panel

The Opengate Containment Cooled data center stabilizes IT intake air temperature to within a few degrees of the supply air temperature at all points in your data center. Control your thermal environment with one cooling system and manage data center cooling for all IT equipment types, including side airflow network switches and high exhaust temperature servers.



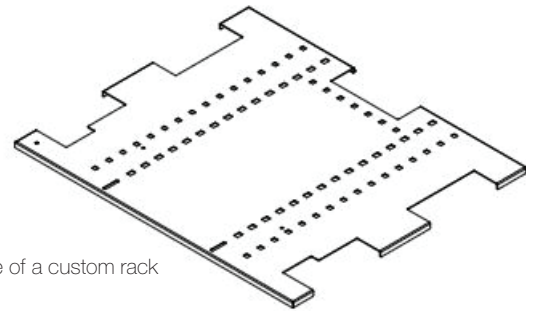
Example of a custom rack

Why Choose Opengate?

Stabilize your IT intake air temperature to within a few degrees of the supply air temperature at all points in your data center.

Reduce total data center fan power consumption and improve server fan efficiency.

Adjust cool air delivery to IT demand as airflow demand dynamically changes.



Example of a custom rack

Who Chose Opengate?

Oracle, U.S. Army Corp of Engineers, and General Dynamics are just a few who selected Opengate to simplify data center cooling and maximize energy efficiency.

"We're putting Opengate on all new racks coming into our high-density area."- Mitch Martin, Oracle Chief Engineer

Rack Conversion Kits (RCK) are available for:

- Retrofitting data centers for Containment Cooling.
- A new build when rack manufacturers are unable to supply solid rear doors and/or top panels per Opengate template.

Versatile For All IT Equipment

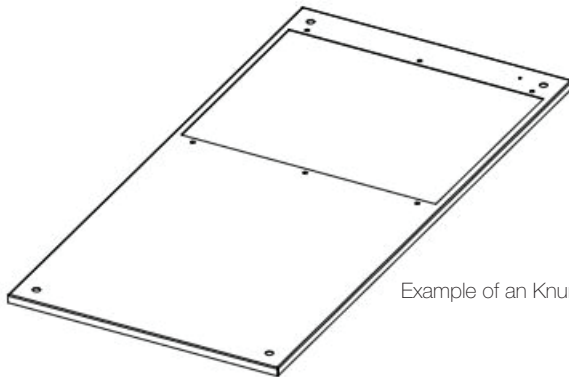
Cool ultra-efficient servers designed closer to their thermal limits, even multiple large network switches places in a rack.

Auto-scale to server flow rate, including side-flow network switches and high temperature exhaust servers with variable flow rates.

No Supplemental Cooling

Eliminate the need for supplemental cooling, allow fewer cooling units, and keep water/Glycol at the facility perimeter.

Cooling unit redundancy is applied to the entire data center space, not at the row level.



Example of an Knurr Lid

“Opengate containment systems enabled AAFC to quickly meet aggressive growth demands on data center services.”- Eric Swanson, Agriculture & Agri-Food Canada

Ultra-Efficient Cooling

Achieve 100% cooling utilization for zero-waster cooling and the lowest PUE.

- Raise supply air temperature
- Raise entering water temperature
- Maximize free cooling hours

Deploy more IT racks without heat issues and intelligently manage data center growth.

Achieve full data center loading with Opengate Containment Cooling.

Build with Confidence

Why adjust to hot spots when you can normalize your entire data center?

Achieve Unity Cooling and Maximize free Cooling:

- Supply air at 76F
- Intake air less than 78F

Maximize Rack and Room Density and Achieve Best-In-Class PUE:

- Zero Cooling Waste
- Zero Heat Issues

Deploy More IT with Confidence

- ...In Data Centers
- ... In Racks
- ...In Small Spaces

Geist Americas

800.432.3219
geistglobal.com

Geist DCiM
1.877.449.4150
geistglobal.com

Geist Europe

+44 (0) 1823 275100
geisteurope.com

Geist Asia

China
+86.755.86639505
geistglobal.com

Hong Kong
+852 90361927
geistglobal.com