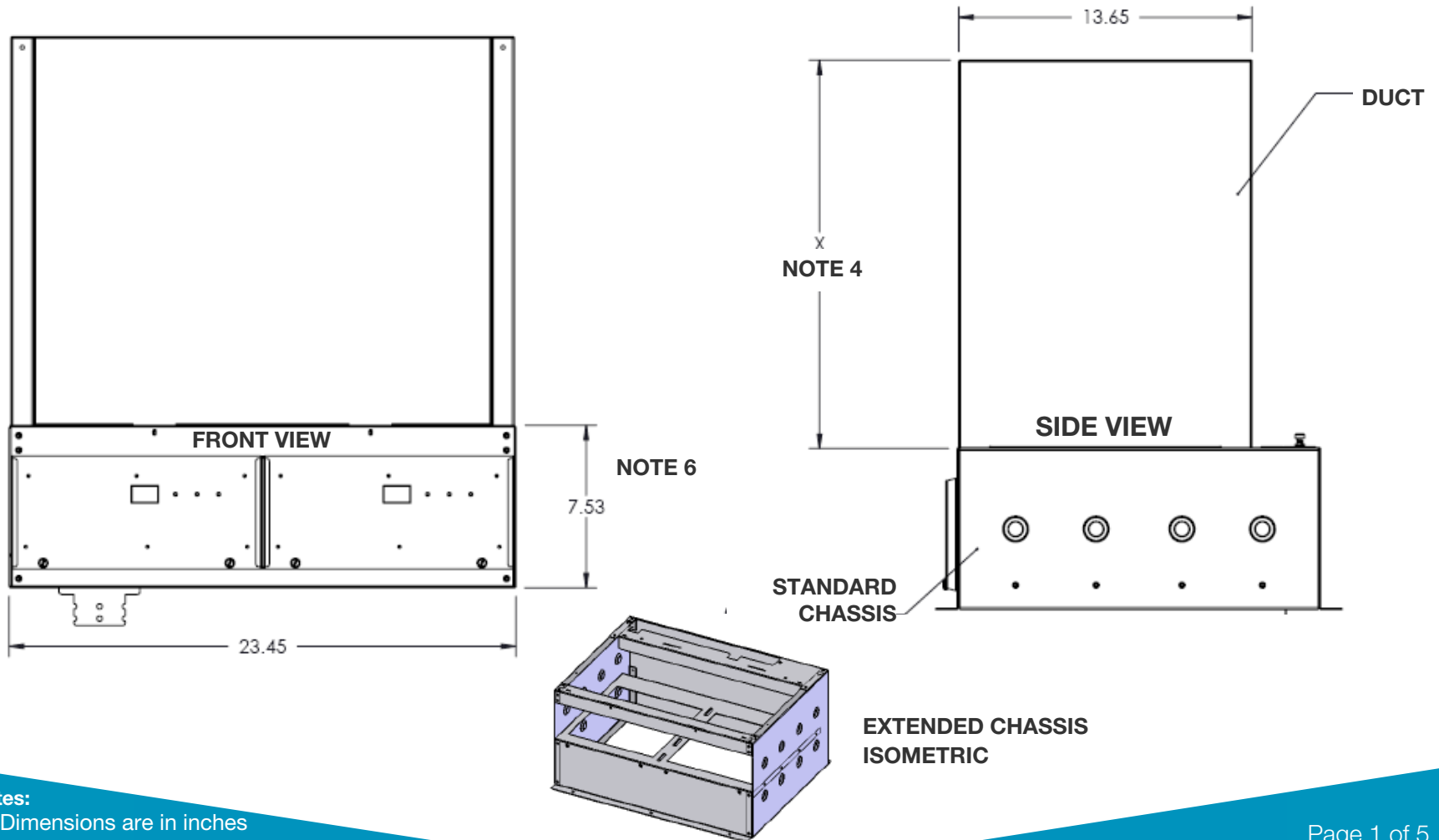
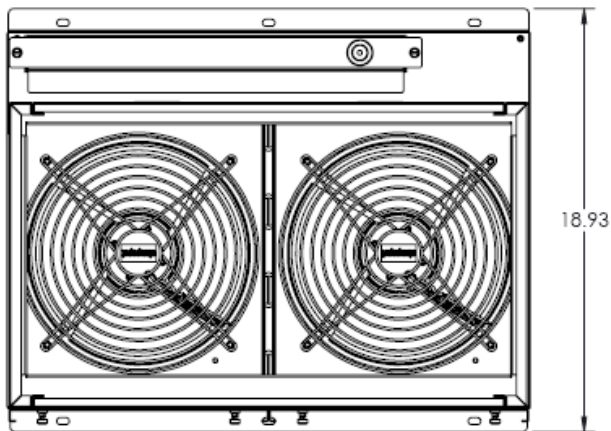


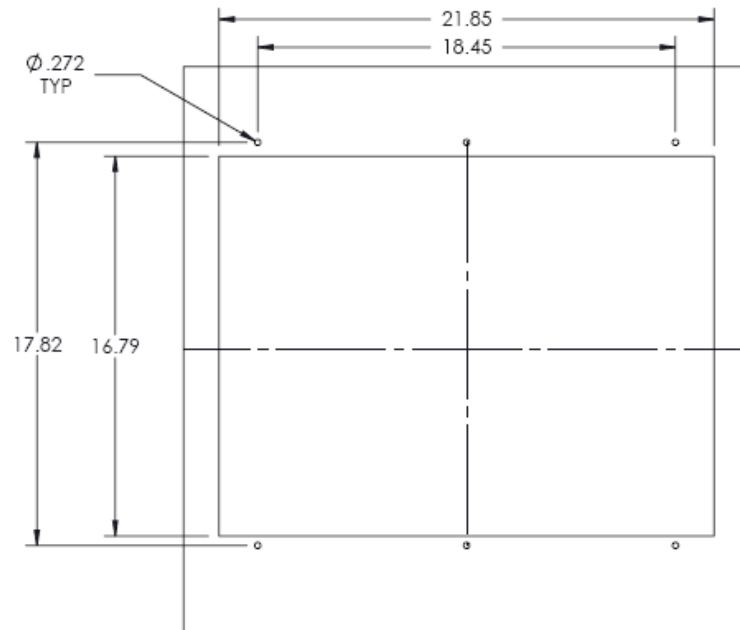
CONTAINMENT COOLING OUTLINE



SYSTEM TOP VIEW



TOP PANEL CUT-OUT

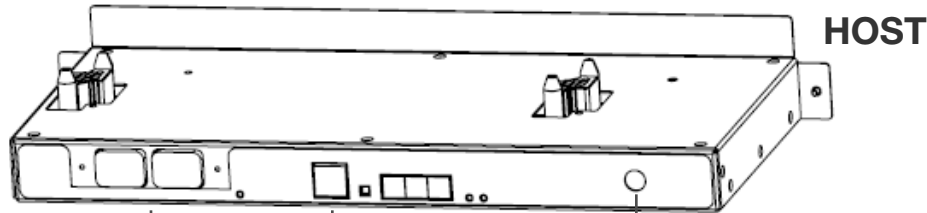
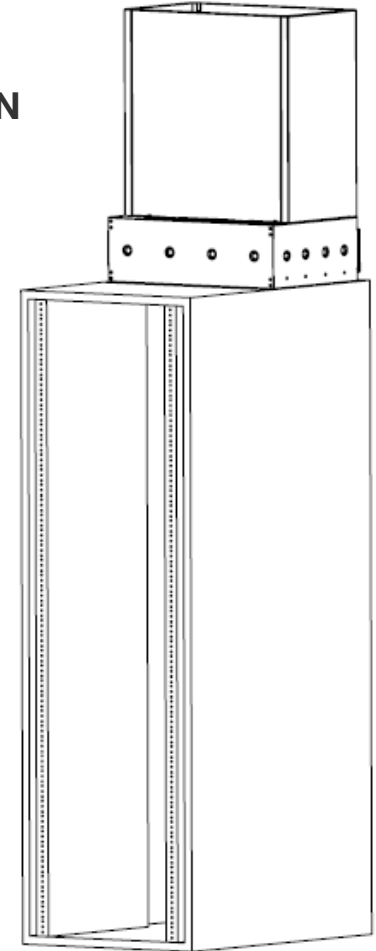
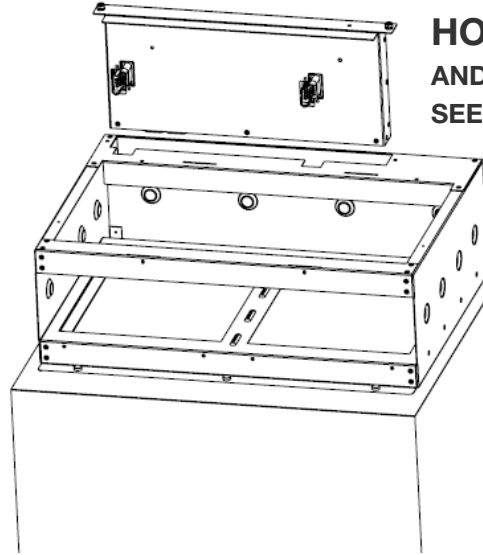
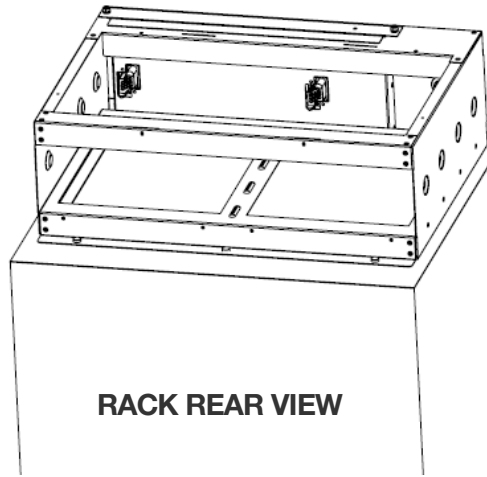


Notes:

1. All dimensions are in inches
2. Chassis can be centered left to right on rack and be placed anywhere from front to rear of rack based on site requirements
3. Top rack panel cut-out shown. Cut-out is suitable for 600 mm, 750 mm, 24 inch or 30 inch wide racks.

RACK FRONT VIEW

CHASSIS ATTACHMENT



C14 INPUT A/B POWER

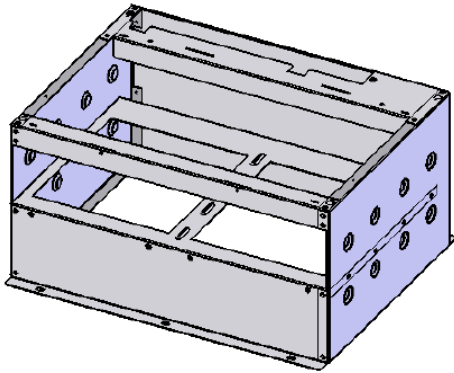
RJ45 ETHERNET CONNECTION

PRESSURE SENSOR
CONNECTION

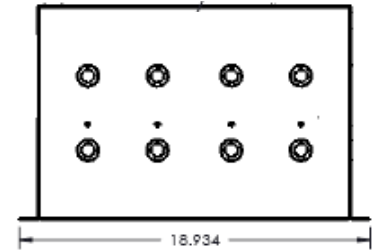
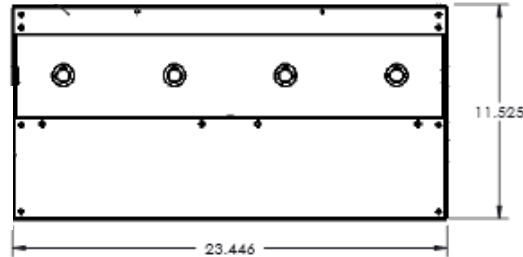
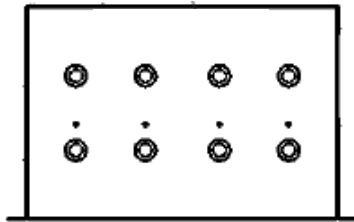
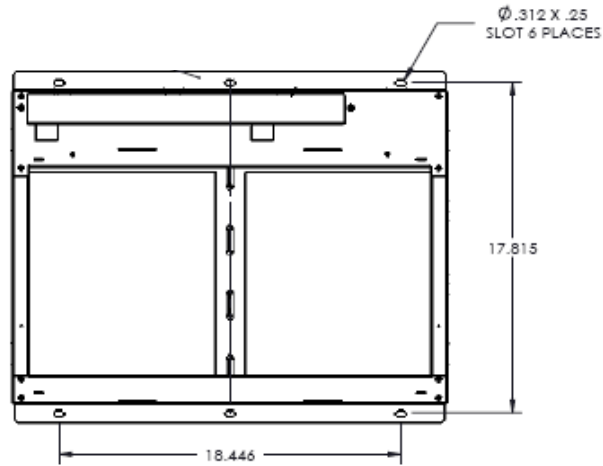
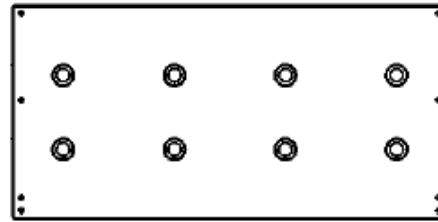
RJ11 TEMP/HUMIDITY SENSOR INPUT

Notes:

1. Host removal from chassis requires 8 inches of clearance above top of chassis
2. Chassis can be centered left to right on rack and be placed anywhere from front to rear on rack based on site requirement



EXTENDED CHASSIS

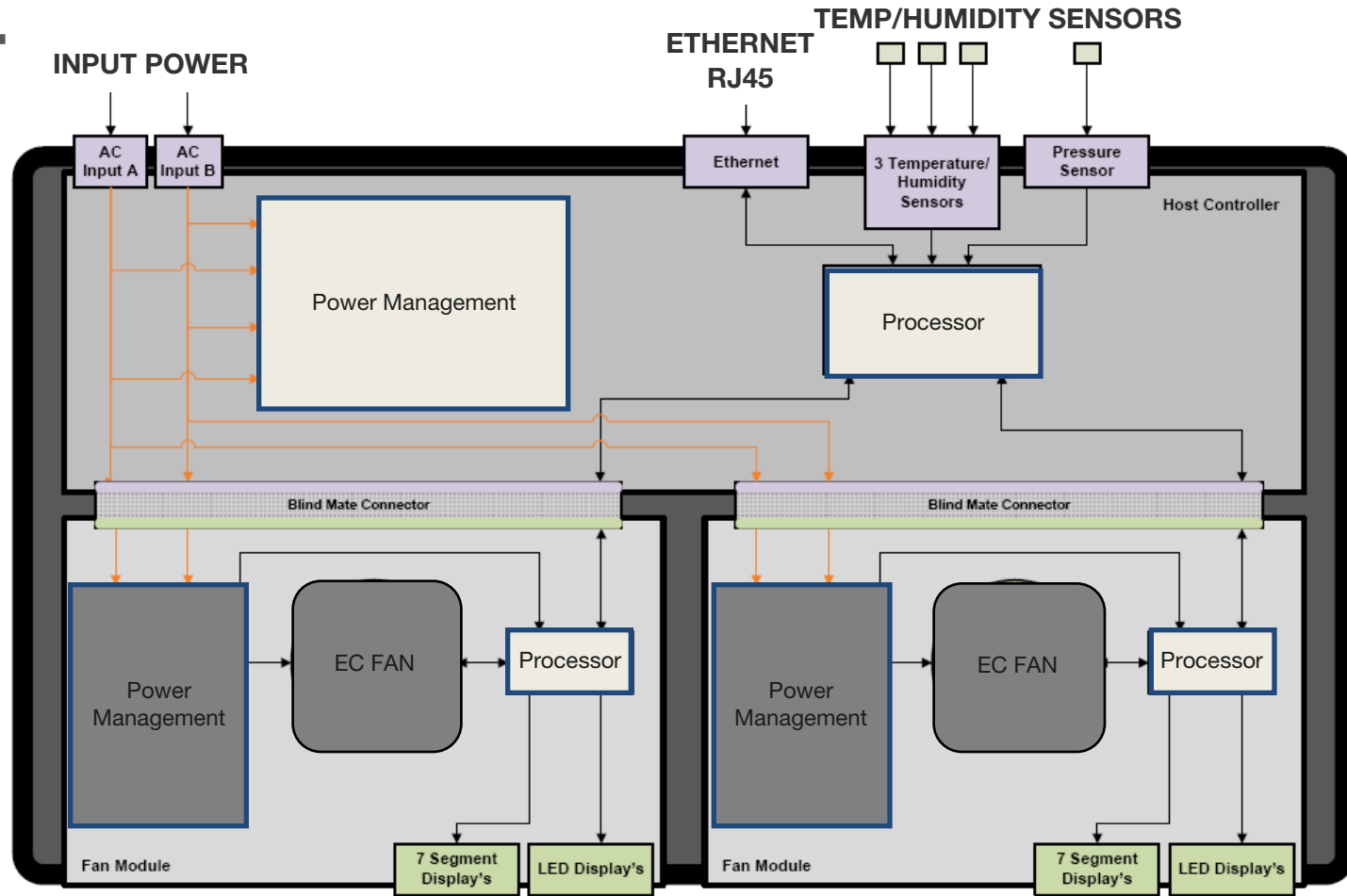


Notes:

1. Extended chassis outside dimensions are the same as the standard chassis except for the 11.525 inch height
2. Extended chassis rack top panel cut-out and mounting is the same as the standard chassis

ELECTRICAL LINE DRAWING AND REQUIREMENTS

Electrical Requirements	
Input Power	100-208 VAC or 208-240 VAC 50-60 Hz single phase
Input Sources	2
Input Amperage at 208V	AA10: 1.3A AA20: 1.4A AA30: 1.8A
Input Amperage at 230V	AA10: 1.1A AA20: 1.2A AA30: 1.6A
Receptacle s	IEC-320 C14
Airflow (CFM)	AA10: 1100 AA20: 2034 AA30: 2380



10006002

Geist Americas

800.432.3219
geistglobal.com

Geist DCIM
1.877.449.4150
geistglobal.com

Geist Europe

+44 (0) 1823 275100
geistglobal.com

Geist Asia

China
+86.755.86639505
geistglobal.com