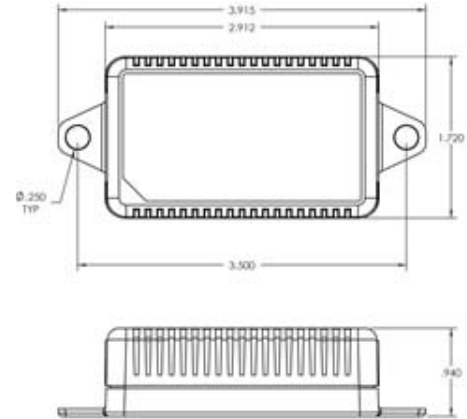


Part Number: GTHD



Description

The GTHD digital sensor collects and transmits real-time temperature, humidity and dew point data to protect critical data center equipment from heat and moisture. The GTHD model offers two RJ12 ports, one uplink port to connect to a Geist environmental or power-monitoring unit and a supplementary input for daisy-chaining.

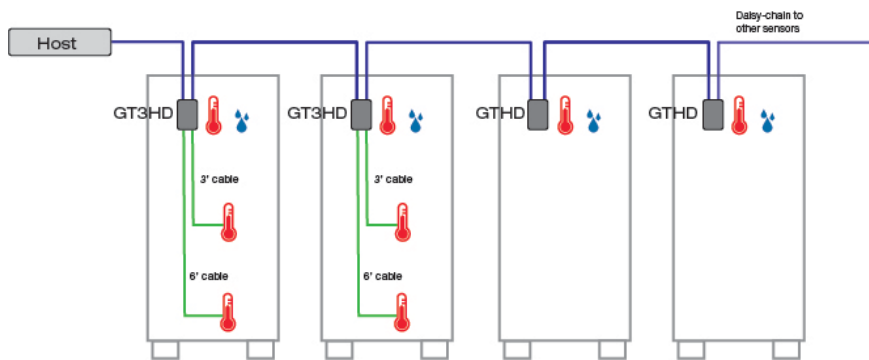


The GTHD requires a Geist environmental or power-monitoring unit to operate. The unit may be daisy-chained with other GTHD or GT3HD sensors to form a sophisticated climate monitoring network with real-time data logging and alarming. This is especially useful when achieving in-row temperature monitoring for top, middle, and bottom of each rack as per ASHRAE guidelines. (Figure 1) The plastic enclosure easily mounts anywhere in the data center with screws, magnets or adhesive.

Sensor Details

- Temperature Range: -4 °F to 176 °F (-20 °C to 80 °C) +/-0.5 °C
- Humidity: 5% to 95%, +/-3%
- Dew point: -58 °F to 185 °F (-50 °C to 85 °C)

Figure 1



Each GTHD kit includes a 10' (3.1m) or 50' (15.3m) uplink cable to connect it to the host monitoring unit.

Please note the information contained herein is for informational purposes only. Technical claims listed depend on a series of technical assumptions. Your experience with these products may differ if you operate the products in an environment which is different from the technical assumptions. Geist reserves the right to modify these specifications without prior notice. Geist makes no warranties, express or implied, on the information contained in this document.