

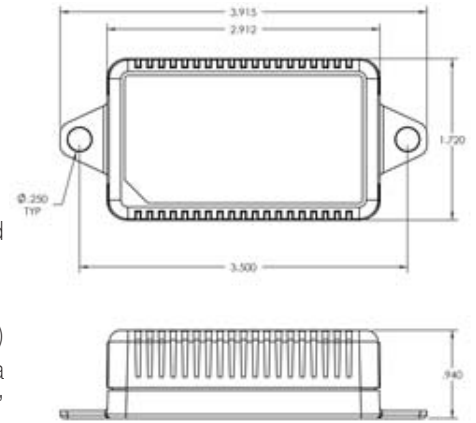
Part Number: GT3HD



Description

The GT3HD digital sensor collects and transmits real-time temperature, humidity and dew point data to protect critical data center equipment from heat and moisture.

The GT3HD model offers four RJ12 ports to connect two remote temperature (RT) sensors, one uplink to connect to a Geist environmental or power-monitoring unit and a supplementary input for daisy-chaining. The unit comes equipped with a 3' (.9m) and 6' (1.8m) temperature sensor to monitor locations within the server rack.



The GT3HD requires a Geist environmental or power-monitoring unit to operate. All three of its sensors (its internal temperature/humidity sensor, plus the two additional temperature probes) operate as a single digital sensor device, allowing multiple racks to be monitored from a single environmental or power-monitoring unit.

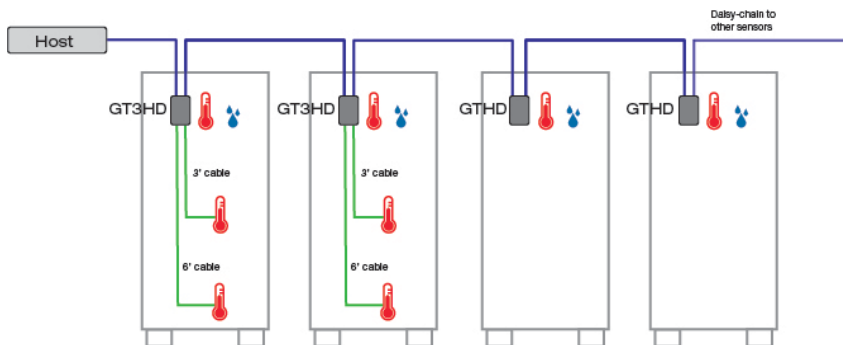
The unit may be daisy-chained with other GT3HD or GTHD sensors to form a sophisticated climate monitoring network with real-time data logging and alarming. This is especially useful when achieving in-row temperature monitoring for top, middle and bottom of each rack as per ASHRAE guidelines. (Figure 1) The plastic enclosure easily mounts anywhere in the data center with screws, magnets or adhesive.

Sensor Details

- Temperature Range: -4 °F to 176 °F (-20 °C to 80 °C) +/-0.5 °C
- Humidity: 5% to 95%, +/-3%
- Dew point: -58 °F to 185 °F (-50 °C to 85 °C)



Figure 1



Each GT3HD comes standard with a set of 3' (.9m) and 6' (1.8m) temperature sensors, and a 10' (3.1m) or 50' (15.3m) uplink cable to connect it to the host monitoring unit.

Please note the information contained herein is for informational purposes only. Technical claims listed depend on a series of technical assumptions. Your experience with these products may differ if you operate the products in an environment which is different from the technical assumptions. Geist reserves the right to modify these specifications without prior notice. Geist makes no warranties, express or implied, on the information contained in this document. 10005401