



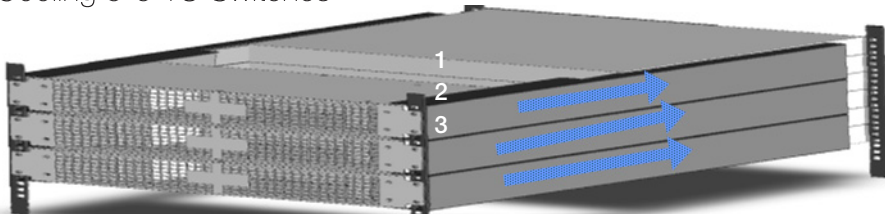
SwitchAir 2U Network Switch Cooling®

Effective cool air delivery for multiple rear rack mounted 1U switches Universal for rear intake or side intake switch types.

Placing network switch ports facing the rear of rack where sever port density resides is very convenient and simplifies network cabling. Due to high switch port density, intake air is typically at the sides of the switch chassis with heat exhaust out the rear or opposite side of the switch. SwitchAir 2U ensures rear rack mounted switches are able to receive the required cool air from outside the rack. SwitchAir delivers air to the switch via the SwitchAir Channels. SwitchAir 2U works with switches having side intake - rear exhaust, side intake - side exhaust and rear intake - front exhaust. You can even stack switches with varying airflow patterns together.

3- SwitchAir

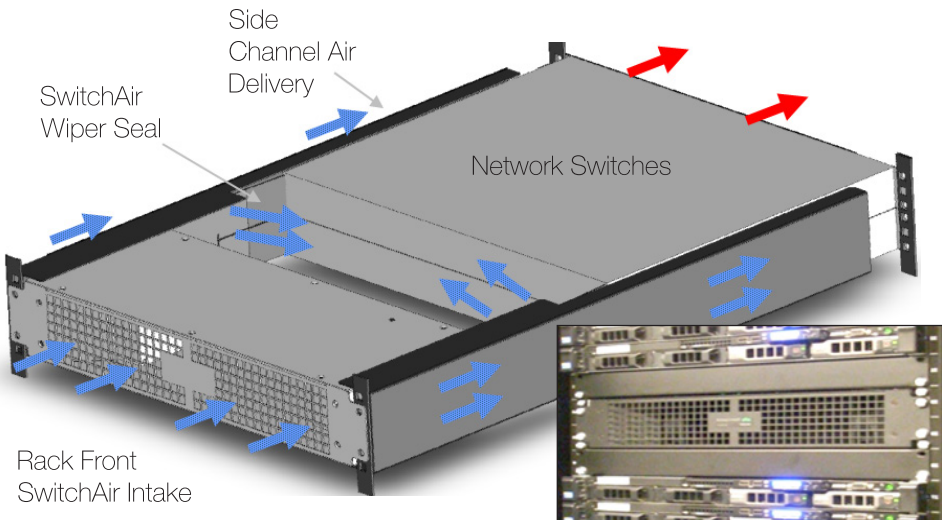
Cooling 5-6 1U Switches



Stack SwitchAir in consecutive U-spaces. Up to six network switches cooled in this configuration

SwitchAir 2U

A Single SwitchAir Cools 1-2 Switches with side or rear air intake vents.



Why Choose Opengate?

- Stabilize your switch intake air temperature to within a few degrees of the rack front intake air temperature
- Installs in minutes and works with most side and rear intake network switches
- SwitchAir 2U can be installed while network switch is operational
- Single input cord runs on any voltage and continually delivers required air
- Opengate systems allow rapid return on investment—typically less than three months

SA2-002 Specification

Rail Depth	26 5/8" to 29 5/8"
Chassis Depth	9"
Channel Depth	26"
Input Power / Indicator	90-264 VAC 50/60 Hz 15 watts LED Power Indicator
Input Connector	C14 Input
Airflow	94 CFM
Switch Intake/Exhaust	Dual Side/Rear
Safety / Approvals	UL, cUL 60950, CE, FCC Class A, C-Tick Marked
Warranty	2 Years





PATENT PENDING

SwitchAir Installation

Attach Rear Air Channel

Attach Rear Air Channel to the Side Air Channel for rear air intake switches only. Discard for side air intake switches.

Install SwitchAir Channel

Place cage nuts in all four channel mounting holes. Attach Channel to inside of front rail using screws at top and bottom cage nuts positions (rack rail cage nuts and screws not included).

**Note - The two SwitchAir channels are equipped with switch support brackets. If the switch does not require additional supports or the brackets interfere with the existing switch hardware, remove the brackets by removing the two screws holding the brackets on each channel.*

Install SwitchAir Wipers

Attach SwitchAir Wipers to the sides of the SwitchAir Chassis using the screws provided. Do not install Wipers for network switches with rear air intake.

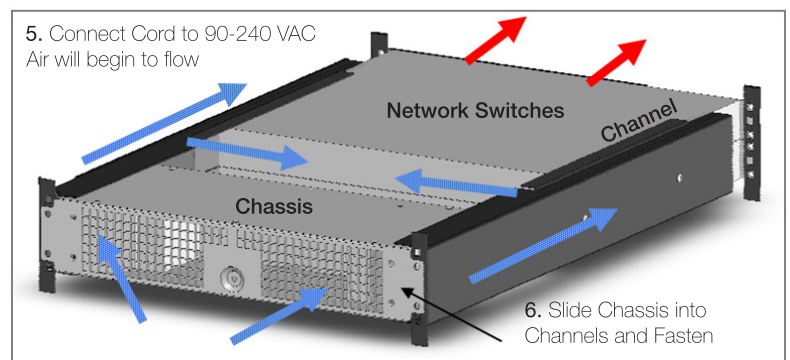
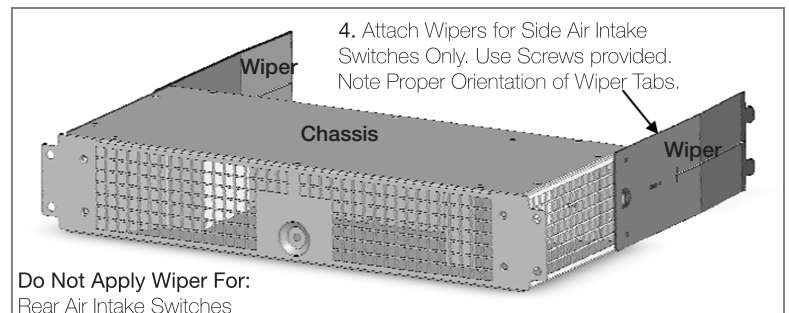
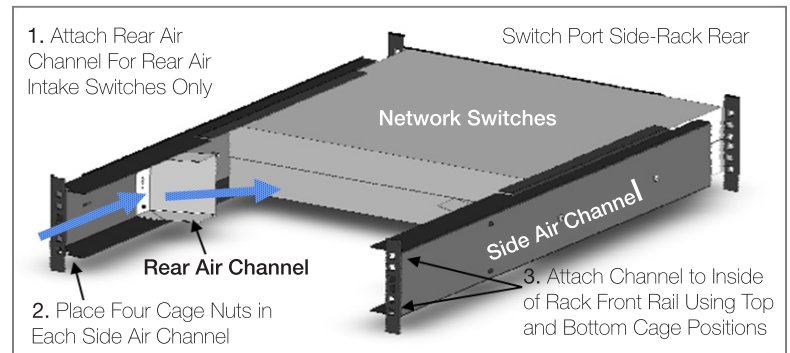
Install SwitchAir Chassis

Connect to power before attaching SwitchAir Chassis to rack front. Slide the SwitchAir Chassis into the SwitchAir Channels from the front of the rack. Attach the SwitchAir Chassis using four screws (not included).

“ We're putting Opengate SwitchAir ”
on all our switches.

– Mitch Martin, Oracle Chief Engineer

Installing SwitchAir 2U- with One to Two Network Switches in Operation



10002301

Geist Americas

800.432.3219
geistglobal.com

Geist DCIM
1.877.449.4150
geistglobal.com

Geist Europe

+44 (0) 1823 275100
geistglobal.com

Geist Asia

China
+86.755.86639505
geistglobal.com

Hong Kong
+852 90361927
geistglobal.com